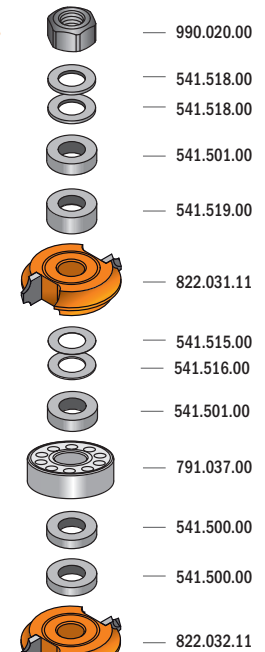


800.622.11 (Shank 1/2") - ASSEMBLY FOR DOUBLE ROUNDROVER R3mm ADJUSTABLE WITH BALL BEARING GUIDE

900.622.11 (Shank 12mm) - ASSEMBLY FOR DOUBLE ROUNDROVER R3mm ADJUSTABLE WITH BALL BEARING GUIDE

ROUNDROVER - Cutting Heigh (H)

| Assembly sequence n° | 11.1mm 7/16" | 12.7mm 1/2" | 15.87mm 5/8" | 19.05mm 3/4" | 22.2mm 7/8" | 1" 25,4mm | 28.5mm 1-1/8" | 30.1mm 1-3/16" | 31.75mm 1-1/4" |
|----------------------|-----------------|----------------|-----------------|-----------------|----------------|--------------|------------------|-------------------|-------------------|
| | WITHOUT BEARING | | | WITH BEARING | | | | | |
| 15 | | 990.020.00 | 990.020.00 | - | 990.020.00 | - | 990.020.00 | - | 990.020.00 |
| 14 | 990.020.00 | 541.500.00 | 541.517.00 | 990.020.00 | 541.515.00 | 990.020.00 | 541.518.00 | 990.020.00 | 541.517.00 |
| 13 | 541.517.00 | 541.500.00 | 541.500.00 | 541.517.00 | 541.515.00 | 541.518.00 | 541.518.00 | 541.516.00 | 541.518.00 |
| 12 | 541.500.00 | 541.501.00 | 541.500.00 | 541.501.00 | 541.518.00 | 541.518.00 | 541.501.00 | 541.500.00 | 541.501.00 |
| 11 | 541.501.00 | 791.037.00 | 791.037.00 | 541.501.00 | 541.501.00 | 541.501.00 | 541.500.00 | 541.501.00 | 822.031.11 |
| 10 | 541.501.00 | 541.519.00 | 541.519.00 | 541.501.00 | 541.501.00 | 541.519.00 | 822.031.11 | 822.031.11 | 541.515.00 |
| 9 | 791.037.00 | 822.031.11 | 822.031.11 | 541.519.00 | 541.519.00 | 822.031.11 | 541.515.00 | 541.516.00 | 541.515.00 |
| 8 | 541.519.00 | 541.515.00 | 541.515.00 | 822.031.11 | 822.031.11 | 541.515.00 | 541.515.00 | 541.518.00 | 541.518.00 |
| 7 | 822.031.11 | 541.515.00 | 541.516.00 | 541.518.00 | 541.515.00 | 541.516.00 | 541.517.00 | 541.518.00 | 541.518.00 |
| 6 | 541.515.00 | 541.517.00 | 541.517.00 | 541.518.00 | 541.515.00 | 541.501.00 | 541.519.00 | 541.519.00 | 541.519.00 |
| 5 | 541.517.00 | 541.518.00 | 541.518.00 | 791.037.00 | 541.500.00 | 791.037.00 | 791.037.00 | 791.037.00 | 791.037.00 |
| 4 | 541.517.00 | 541.518.00 | 541.501.00 | 541.518.00 | 791.037.00 | 541.500.00 | 541.500.00 | 541.500.00 | 541.519.00 |
| 3 | 541.501.00 | 541.501.00 | 541.501.00 | 541.518.00 | 541.501.00 | 541.500.00 | 541.501.00 | 541.501.00 | 541.500.00 |
| 2 | 822.032.11 | 822.032.11 | 822.032.11 | 822.032.11 | 822.032.11 | 822.032.11 | 822.032.11 | 822.032.11 | 822.032.11 |
| 1 | 8/924.137.00 | 8/924.137.00 | 8/924.137.00 | 8/924.137.00 | 8/924.137.00 | 8/924.137.00 | 8/924.137.00 | 824.137.00 | 8/924.137.00 |



03.60.0307 - page 1/2

824.137.00 S=1/2"
924.137.00 S=12mm

822.031.11
R2mm R5/64"
R3mm R1/8"

791.037.00
Ø8-28mm - H9mm

822.032.11
R3mm R1/8"
R2mm R5/64"

541.515.00
0,0039" - 0,1mm

541.516.00
0,0118" - 0,3mm

541.517.00
0,0196" - 0,5mm

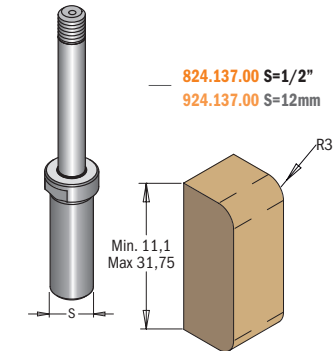
541.518.00
0,039" - 1,0mm

541.500.00
0,118" - 3,0mm

541.501.00
0,157" - 4,0mm

541.519.00
0,228" - 5,8mm

990.020.00
M8

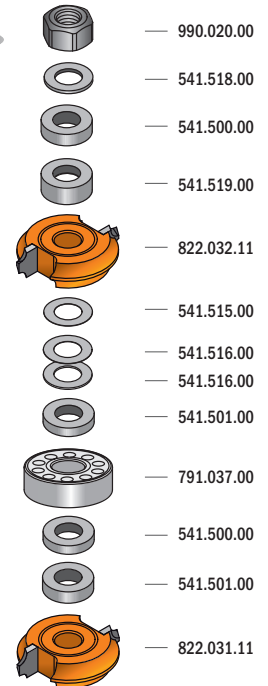


800.622.11 (Shank 1/2") - ASSEMBLY FOR DOUBLE "ROUNDROVER R2mm ADJUSTABLE WITH BALL BEARING GUIDE

900.622.11 (Shank 12mm) - ASSEMBLY FOR DOUBLE "ROUNDROVER R2mm ADJUSTABLE WITH BALL BEARING GUIDE

ROUNDROVER - Cutting Heigh (H)

| Assembly sequence n° | 7/16" 11,1mm | 1/2" 12,7mm | 5/8" 15,87mm | 3/4" 19,05mm | 7/8" 22mm | 1" 25,4mm | 1-1/8" 28,5mm | 1-3/16" 30,1mm | 1-1/4" 31,75mm |
|----------------------|-----------------|--------------|--------------|--------------|--------------|--------------|---------------|----------------|----------------|
| | WITHOUT BEARING | | | WITH BEARING | | | | | |
| 15 | - | - | - | - | - | - | - | - | - |
| 14 | 990.020.00 | 990.020.00 | 990.020.00 | 990.020.00 | 990.020.00 | 990.020.00 | 990.020.00 | 990.020.00 | 990.020.00 |
| 13 | 541.516.00 | 541.517.00 | 541.517.00 | 541.517.00 | 541.516.00 | 541.518.00 | 541.500.00 | 541.517.00 | 541.516.00 |
| 12 | 541.518.00 | 541.500.00 | 541.501.00 | 541.501.00 | 541.500.00 | 541.500.00 | 541.501.00 | 541.517.00 | 541.516.00 |
| 11 | 541.518.00 | 541.501.00 | 791.037.00 | 541.519.00 | 541.501.00 | 541.519.00 | 822.032.11 | 541.518.00 | 541.500.00 |
| 10 | 541.500.00 | 791.037.00 | 541.519.00 | 541.519.00 | 541.519.00 | 822.032.11 | 541.515.00 | 541.500.00 | 822.032.11 |
| 9 | 541.501.00 | 541.519.00 | 822.032.11 | 822.032.11 | 822.032.11 | 541.515.00 | 541.516.00 | 822.032.11 | 541.515.00 |
| 8 | 791.037.00 | 822.032.11 | 541.517.00 | 541.517.00 | 541.515.00 | 541.516.00 | 541.516.00 | 541.516.00 | 541.515.00 |
| 7 | 541.519.00 | 541.516.00 | 541.516.00 | 541.517.00 | 541.515.00 | 541.516.00 | 541.518.00 | 541.500.00 | 541.500.00 |
| 6 | 822.032.11 | 541.516.00 | 541.515.00 | 541.518.00 | 541.501.00 | 541.501.00 | 541.519.00 | 541.501.00 | 541.519.00 |
| 5 | 541.515.00 | 541.515.00 | 541.500.00 | 541.518.00 | 791.037.00 | 791.037.00 | 791.037.00 | 791.037.00 | 791.037.00 |
| 4 | 541.500.00 | 541.501.00 | 541.501.00 | 791.037.00 | 541.518.00 | 541.500.00 | 541.501.00 | 541.519.00 | 541.519.00 |
| 3 | 541.501.00 | 541.501.00 | 541.501.00 | 541.500.00 | 541.501.00 | 541.501.00 | 541.501.00 | 541.501.00 | 541.501.00 |
| 2 | 822.031.11 | 822.031.11 | 822.031.11 | 822.031.11 | 822.031.11 | 822.031.11 | 822.031.11 | 822.031.11 | 822.031.11 |
| 1 | 8/924.137.00 | 8/924.137.00 | 8/924.137.00 | 8/924.137.00 | 8/924.137.00 | 8/924.137.00 | 8/924.137.00 | 8/924.137.00 | 8/924.137.00 |



03.60.0307 - page 2/2

